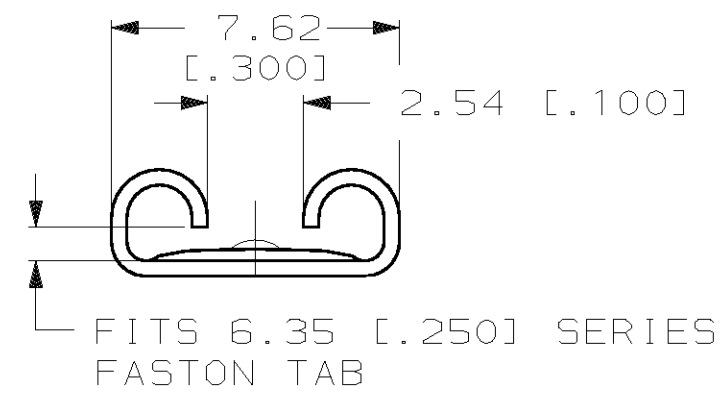
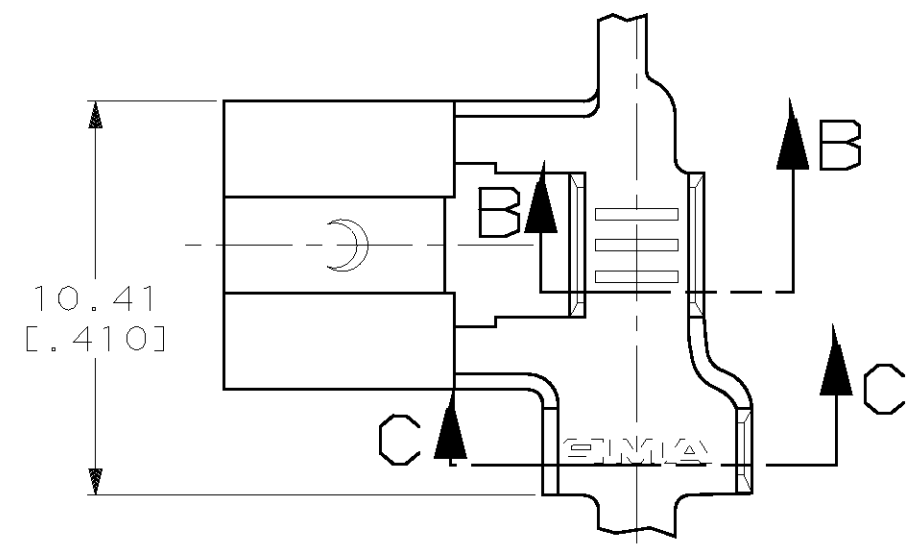


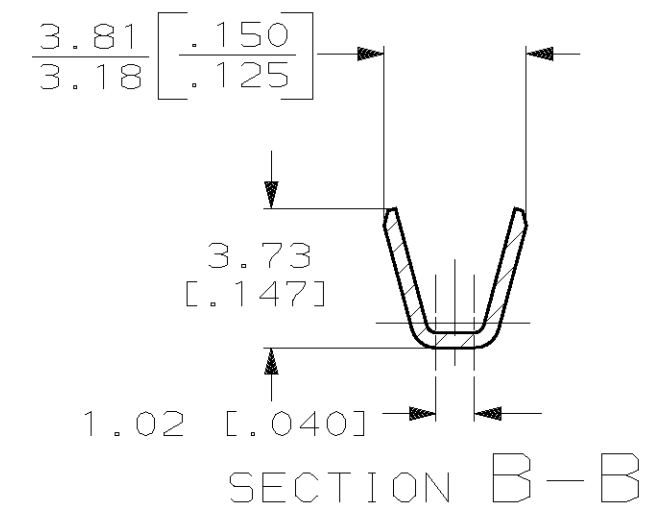
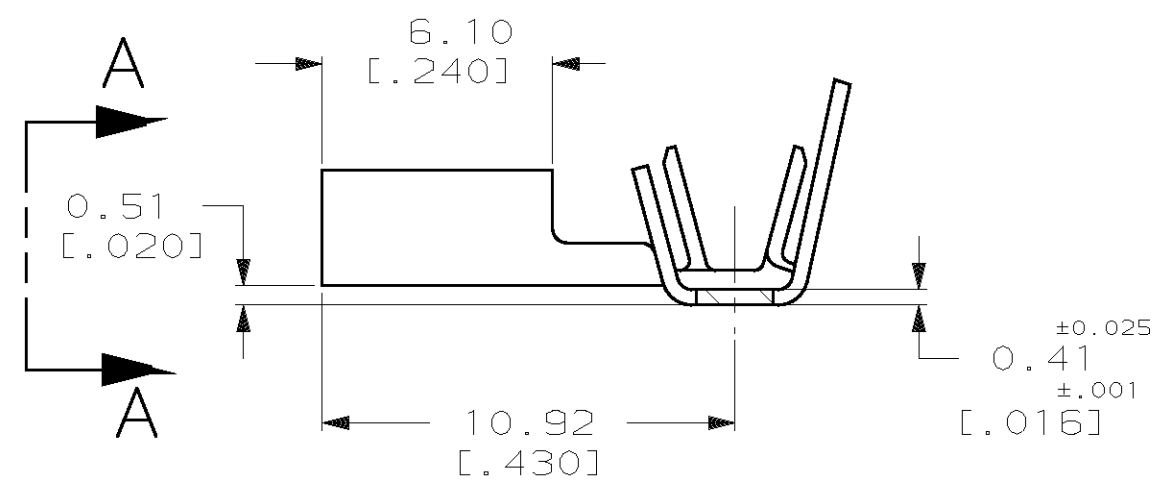
THIS DRAWING IS UNPUBLISHED. RELEASED FOR PUBLICATION, 19  
 © COPYRIGHT 19 BY AMP INCORPORATED. ALL INTERNATIONAL RIGHTS RESERVED.

LOC	DIST	P	F	REVISIONS				
				ZONE	LTR	DESCRIPTION	DATE	APPD
AF	50				F	REV PER 0L10-0283-97	7/14/97	JR

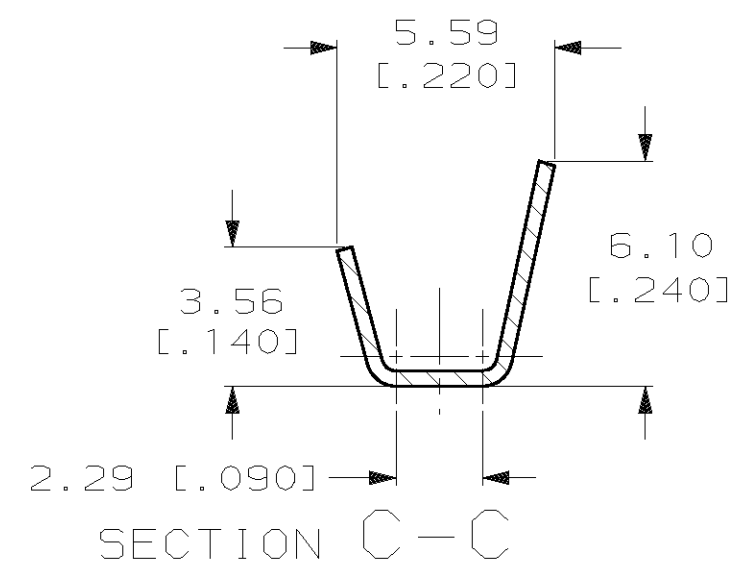
1 CONTINUOUS STRIP ON REELS.



VIEW A-A



SECTION B-B



SECTION C-C



TIN	2.79-4.06	0.8-2.0mm <sup>2</sup>	0.81	63011-2
-	[.110-.160] DIA	[18-14] AWG	[.032]	63011-1
FINISH	INSUL RANGE	WIRE SIZE	MATING TAB THK ±0.025 [0.001]	PART NO
DO NOT SCALE PRINT. UNLESS SPECIFIED DIMENSIONS IN mm [INCHES] TOLERANCES ON: 2 PLC DEC ± - 3 PLC DEC ± 0.38 [0.015] ANGLES ± -	DR 4/8/91 JR RUTH CHK 4/8/91 MS FEHER	AMP Incorporated Harrisburg, PA 17105-3608		
MATERIAL	APPD 4/8/91 C MEYERS	NAME RECEPTACLE, FASTON, FLAG, 6.35 [0.250] SERIES		
4M BRASS	APPD 4/8/91 R KUZO	SIZE	CAGE CODE	DRAWING NO
FINISH	PRODUCT SPEC	B	00779	63011
SEE TABLE	APPLICATION SPEC	SCALE	5:1	SHEET
	WEIGHT -			1 OF 1